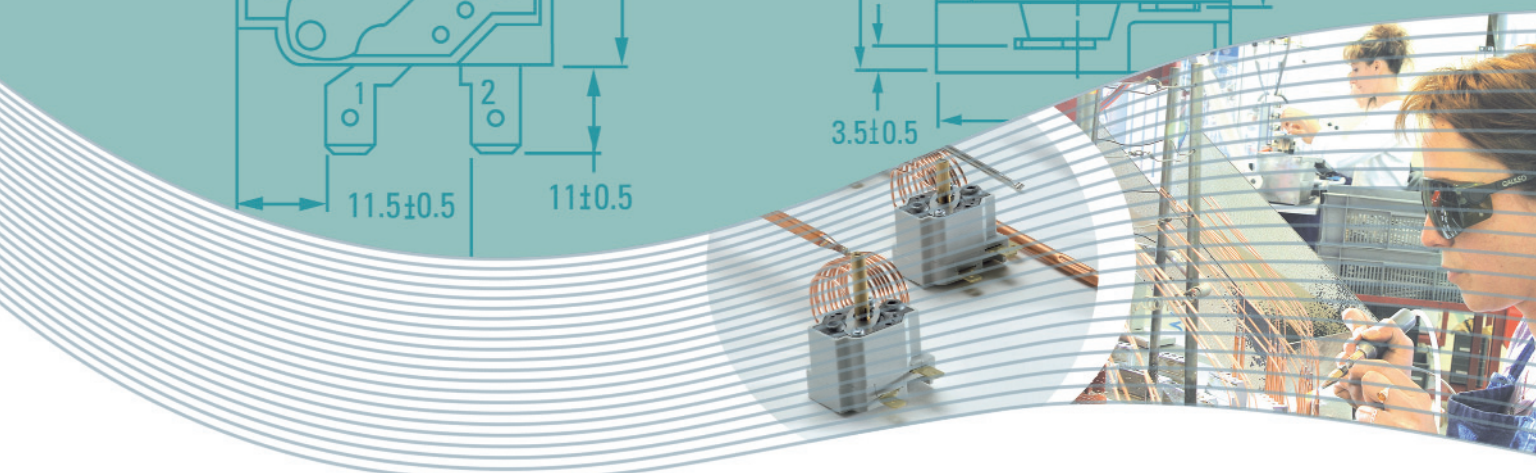
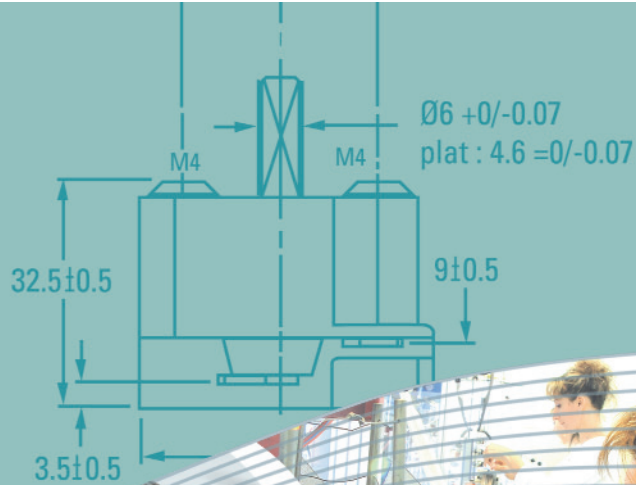
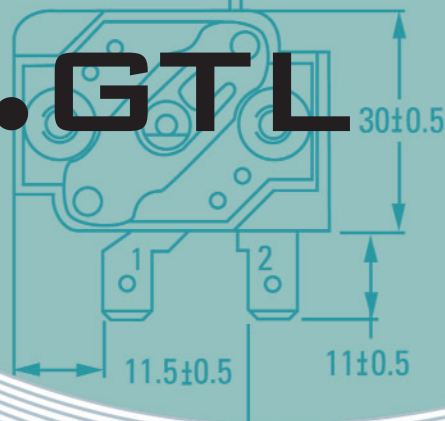


# ...GTL



**→ DESCRIPTION**

Single pole bulb and capillary control and manual or automatic reset safety limiter

**→ FEATURES**

- Available either for temperature regulation or overtemperature protection
- Factory pre-set fixed temperature, OEM adjustable or end-user knob adjustable temperature
- Wide variety of temperature ranges customized to requirements
- Precise temperature control with fast reaction time
- Adaptable to both air and immersion type applications
- Trip free manual reset
- Multiple bracket options for field retrofit
- Protective capillary sleeving available on request

**→ OPERATION**

A rise in temperature causes the expansion of liquid within the bulb and capillary. The liquid acts on a bellows assembly within the plastic housing to open and close electrical contacts

## TECHNICAL CHARACTERISTICS

	Adjustable or fixed temperature control or automatic reset safety limiter		Adjustable or fixed temperature manual reset safety limiter		UL/CUL approved equivalents (25A)	
	GTLH	GTLH3	GTLHR	GTLHR3	GTLU	GTLUR
Type	Single pole single throw (SPST)	Single pole double throw (SPDT) with changeover contact	Single pole single throw (SPST)	Single pole double throw (SPDT) with changeover contact	Single pole single throw (SPST) with automatic reset	Single pole single throw (SPST) with manual reset
Temperature range	-35°C to 350°C (-31°F to 662°F), customized to specification					
Differential	Approx. 5% of temperature range					
Rating	20A - 250V (EN, UL) / 25A - 250V (UL)					
Material	Bulb and capillary in copper, nickel-plated copper, or stainless steel					
Capillary length	150 to 3 000 mm / 6 to 118"					
Sensing element diameters	Copper : 4, 5, 6, 6.5 and 8 mm / 5/32, 3/16, 1/4 and 5/16" Stainless steel : 3, 5, 6 mm / 1/8, 3/16 and 1/4"					
Maximum head temperature	120°C / 248°F, 150°C / 302°F					
Connections	Brass or nickel plated fastons or screw terminals					
Approvals	CE, EN60730, UL, CUL					

# ...GTL

## TECHNICAL CHARACTERISTICS



Electric water heater



Solar water heater



Electric heating



Electric radiator



Towel dryer



Boiler



Heat pump



Fan heater / ventilation



Air conditioning



Sauna



Pool & Spa



Coffee machine



Wine cabinet



Dish washer



Washing machine



Oven (domestic and industrial)



Rotisserie



Warming drawer



Deep fryer



Commercial cold



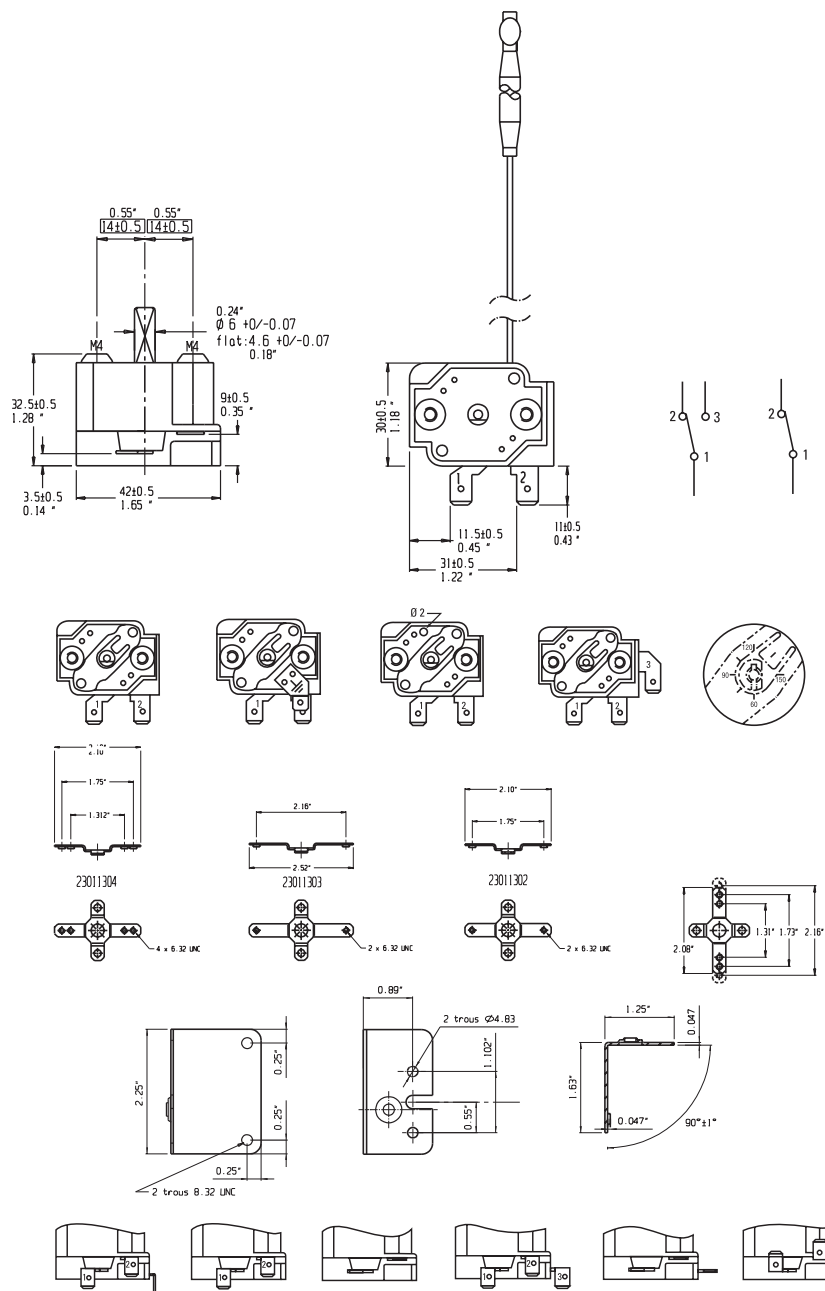
Bain marie



Medical equipment



Industrial equipment



COTHERM reserves the right to bring any modifications to our products.

We manufacture products according to drawings which serve as contractual documents.

We are not responsible for damage resulting from inappropriate installation or use of our product.

**Weight :** approx. 60g

**cotherm**  
COMPONENTS

WWW.COTHERM.COM

Z.I. LES LEVÉES 38470 VINAY FRANCE

PHONE : +33 4 76 36 82 97

FAX : +33 4 76 64 05 43