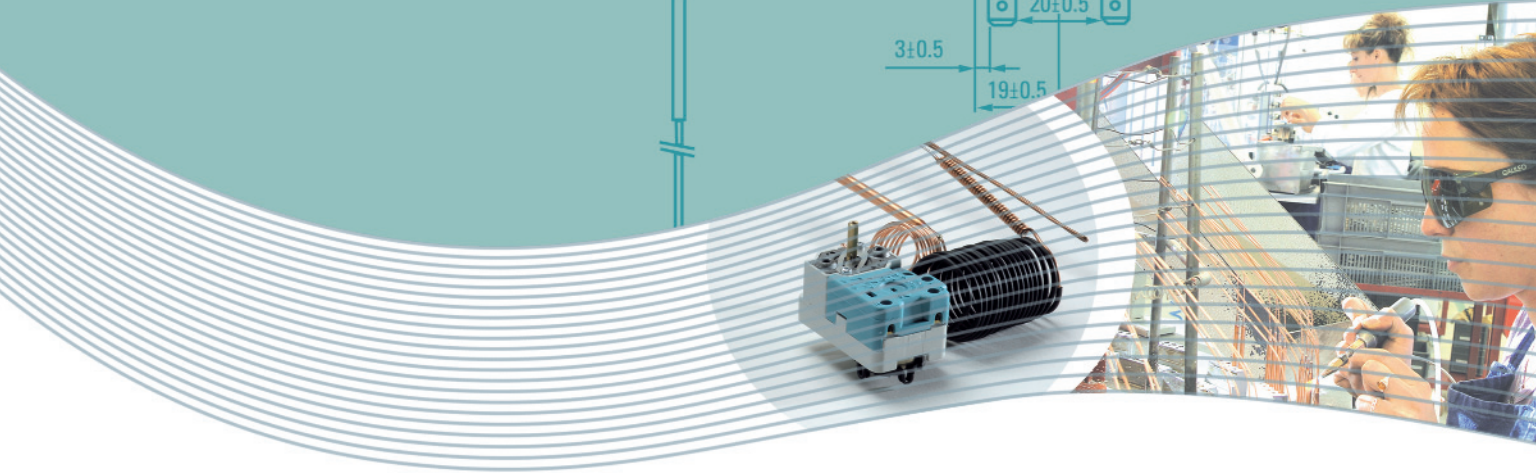
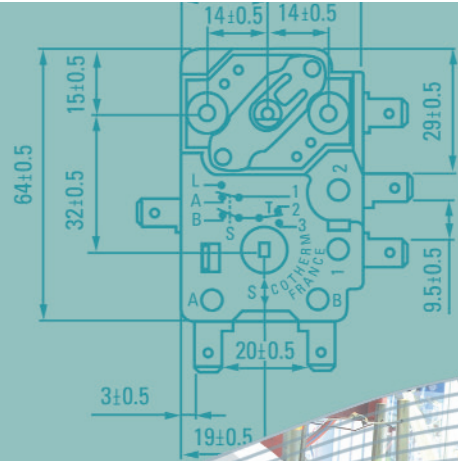
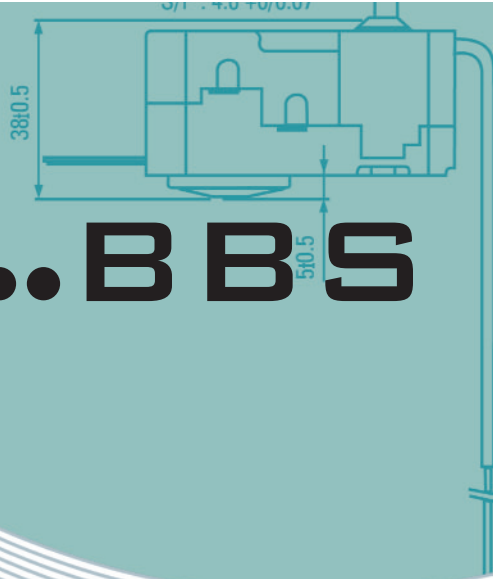


# ... BBS



**→ DESCRIPTION**

Combistat with single pole capillary control for temperature regulation and double-pole safety limiter with manual reset

**→ FEATURES**

- Combined control and safety functions to reduce wiring and mounting costs
- Independent non self resetting safety
- Guarantee of safety operation : fail-safe capillary
- Choice of capillary for pocket immersion or bimetal for surface mounted reading of temperature
- Factory pre-set fixed temperature, OEM adjustable or end-user adjustable temperature
- Changeover contact option on both control and safety limiter to pilot signal lamp
- Available with separate two pole switch

**→ OPERATION**

**Regulation :** a rise in temperature causes the expansion of liquid within the bulb and capillary.

The liquid acts on a bellows assembly within the plastic housing to open and close electrical contacts.

**Safety limiter with capillary :** the liquid within the capillary is transformed to vapor with an abnormal increase in temperature. The increase in volume acts on a mechanism to open electrical contacts.

In case of damage to the capillary the fail-safe limiter operates automatically. The limiter is manually resettable.

**Safety limiter with bimetal :** a snap action bimetal opens electrical contacts with an abnormal increase in temperature

## TECHNICAL CHARACTERISTICS

	BBSC	BBSC3	BBSB
Type	Single pole single throw (SPST) control with double pole capillary safety limiter	Single pole double throw (SPDT) control with double pole capillary safety limiter	Single pole single throw (SPST) control with double pole bimetal safety limiter
Temperature range	0°C to 120°C / 32°F to 248°F		
Differential	Approx. 5% of the temperature range		
Safety limiter temperature	Fixed 75°C - 120°C / 167°F - 248°F		
Rating	20A - 240V / 15A - 400V		
Material	Bulb and capillary in copper or nickel-plated copper		
Capillary length	150 to 3 000 mm / 6 to 118"		
Sensing element diameters	4, 5, 6, 6.5 and 8 mm / 5/32, 3/16, 1/4 and 5/16"		
Safety limiter capillary	Spiralled or single / double / triple bent capillary		
Maximum head temperature	110°C / 230°F		
Connections	Brass or nickel plated fastons, screw or pillar terminals		
Approvals	CE, EN60730		

# ...BBS

## TECHNICAL CHARACTERISTICS



Electric water heater



Solar water heater



Electric heating



Electric radiator



Towel dryer



Boiler



Heat pump



Fan heater / ventilation



Air conditioning



Sauna



Pool & Spa



Coffee machine



Wine cabinet



Dish washer



Washing machine



Oven (domestic and industrial)



Rotisserie



Warming drawer



Deep fryer



Commercial cold



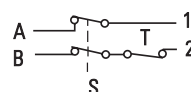
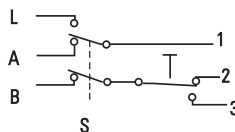
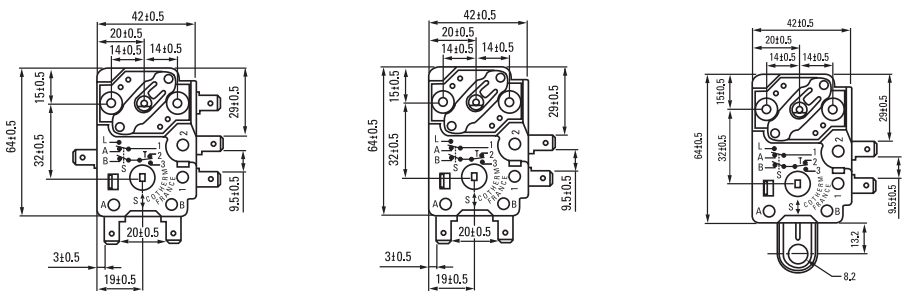
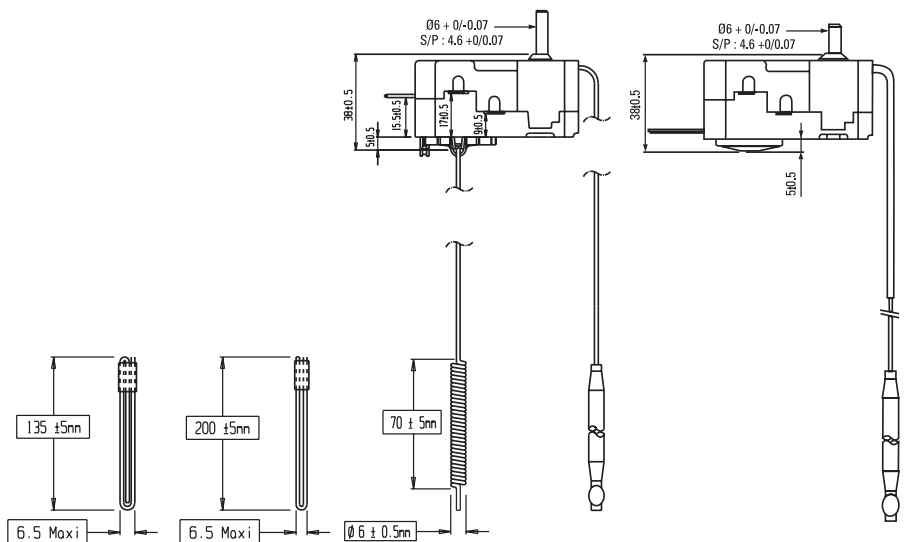
Bain marie



Medical equipment



Industrial equipment



### CONNECTIONS CONNECTIONS

1-2-A-B	3-L
AMP 6.35 bent 90°	AMP 6.35 bent 90°
AMP 6.35	AMP 6.35
screw terminal 4mm	

Weight : approx. 150g

COTHERM reserves the right to bring any modifications to our products. We manufacture products according to drawings which serve as contractual documents. We are not responsible for damage resulting from inappropriate installation or use of our product.

**cotherm**  
COMPONENTS

WWW.COTHERM.COM

Z.I. LES LEVÉES 38470 VINAY FRANCE  
PHONE : +33 4 76 36 82 97  
FAX : +33 4 76 64 05 43