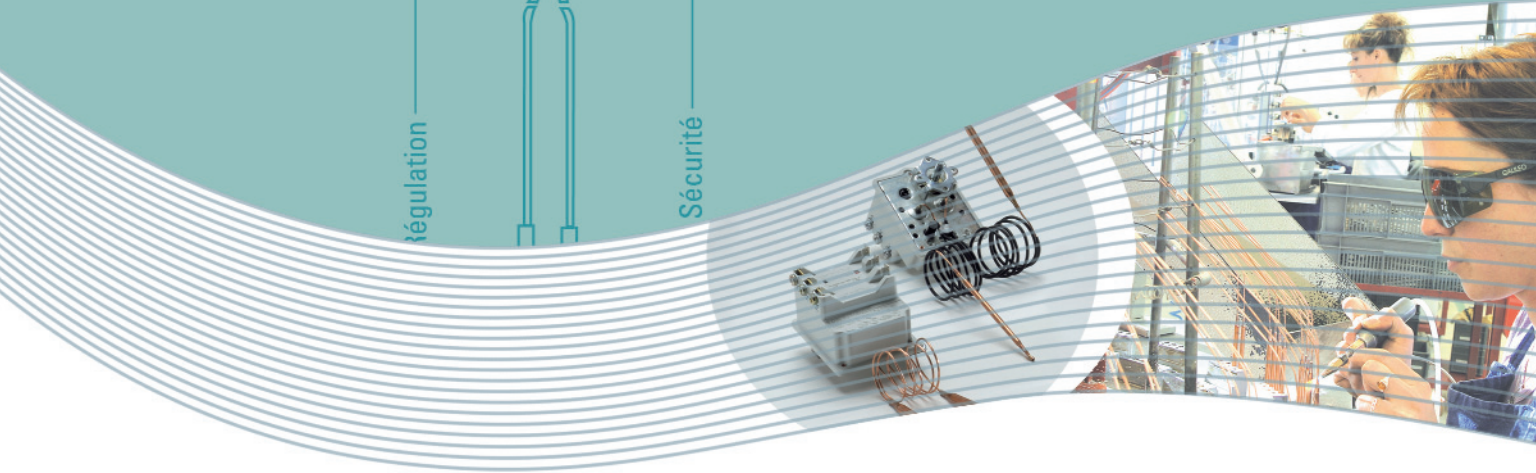
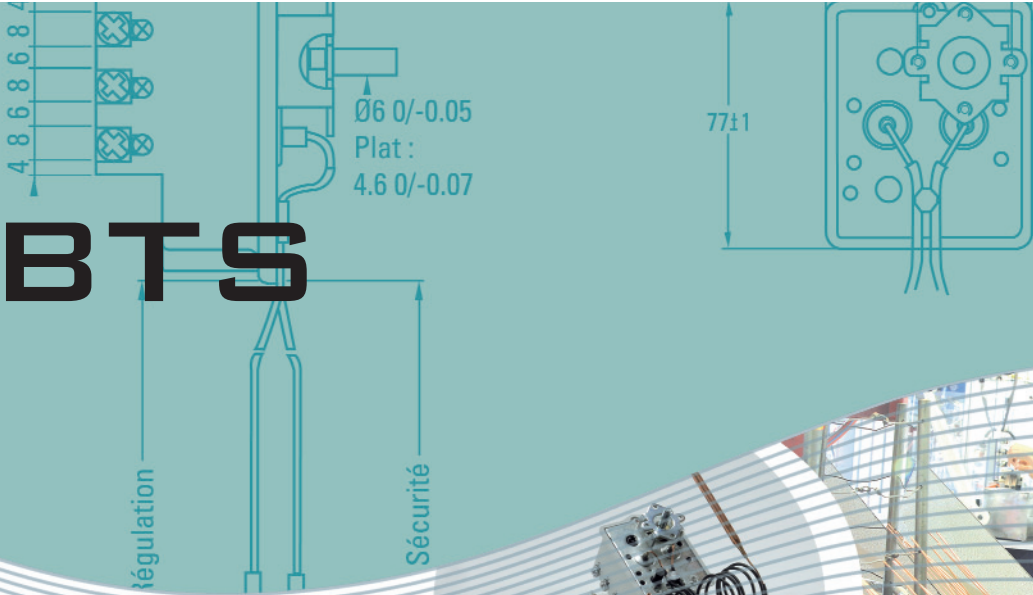


...BTS



→ DESCRIPTION

Combistat with three pole capillary control for temperature regulation and three pole safety limiter with manual reset

→ FEATURES

- Combined control and safety function
- Independent non self resetting safety
- Available as single control or safety only
- Double pole single throw version (DPST)
- Multiple mounting, electrical connection, adjustment, and reset knob configurations
- Factory pre-set fixed temperature, OEM adjustable or end-user adjustable temperature

→ OPERATION

A rise in temperature causes the expansion of liquid within the bulb and capillary. The liquid acts on a bellows assembly within the plastic housing to open and close electrical contacts with temperature variation. In case of abnormal rise in temperature, liquid expansion in a separate bulb and capillary assembly will break independent contacts to insure safety operation. The limiter is manually resettable

TECHNICAL CHARACTERISTICS

	BTS	GPC
Type	20A triple pole single throw (TPST) adjustable or fixed temperature control with triple pole safety limiter	30A triple pole single throw (TPST) adjustable or fixed temperature control with triple pole safety limiter
Temperature range	0°C to 300°C / 32°F to 572°F	
Differential	Approx. 5% of the temperature range	
Safety limiter temperature	Fixed 70°C - 350°C / 158°F - 662°F	
Rating	BTS 20A - 240V / 15A - 400V ; GPC 30A - 240V / 20A - 400V	
Material	Bulb and capillary in copper, nickel-plated copper or stainless steel	
Capillary length	150 to 2 000 mm / 6 to 79"	
Sensing element diameters	Copper : 4, 5, 6, 6.5 and 8 mm / 5/32, 3/16, 1/4 and 5/16" Stainless steel : 3, 5 and 6 mm / 1/8, 3/16 and 1/4"	
Maximum head temperature	105°C / 221°F	
Connections	Brass or nickel plated faston terminals, screw terminals	
Approvals	CE, EN60730	

...BTS

TECHNICAL CHARACTERISTICS



Electric water heater



Solar water heater



Electric heating



Electric radiator



Towel dryer



Boiler



Heat pump



Fan heater / ventilation



Air conditioning



Sauna



Pool & Spa



Coffee machine



Wine cabinet



Dish washer



Washing machine



Oven (domestic and industrial)



Rotisserie



Warming drawer



Deep fryer



Commercial cold



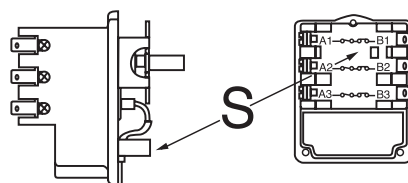
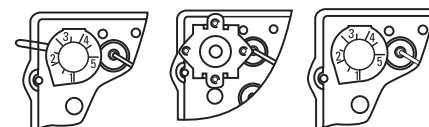
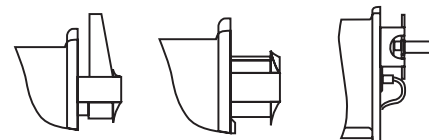
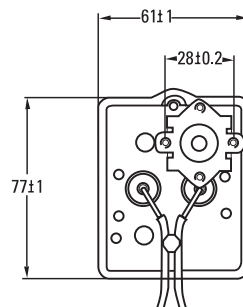
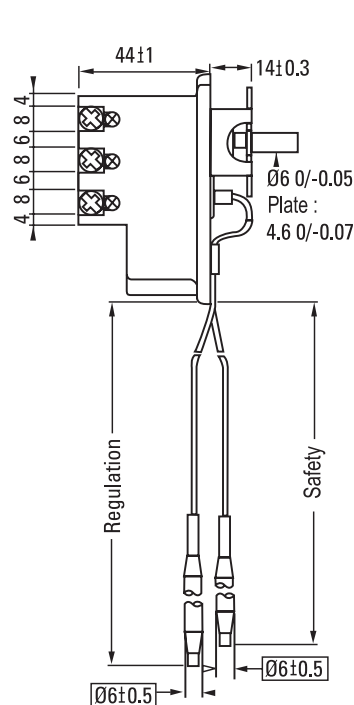
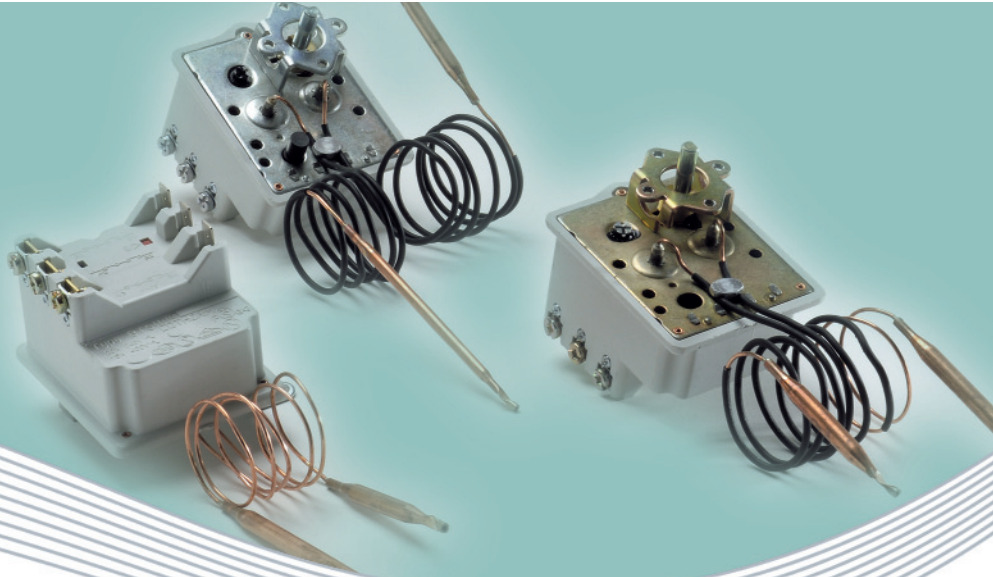
Bain marie



Medical equipment



Industrial equipment

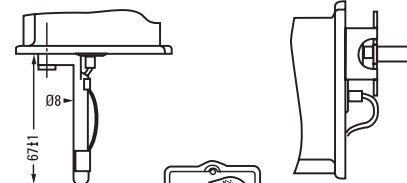


Connexions	Connections
added on 45 ext	with screw and plate
with screw without plate	upright 6.35mm
bent at 45 int.	bent on 90° int.
bent at 45 ext.	bent on 90° ext.

A1—B1

A2—B2

A3—B3



COTHERM reserves the right to bring any modifications to our products.

We manufacture products according to drawings which serve as contractual documents.

We are not responsible for damage resulting from inappropriate installation or use of our product.

Weight : approx. 250g

cotherm
COMPONENTS

WWW.COTHERM.COM

Z.I. LES LEVÉES 38470 VINAY FRANCE
PHONE : +33 4 76 36 82 97
FAX : +33 4 76 64 05 43