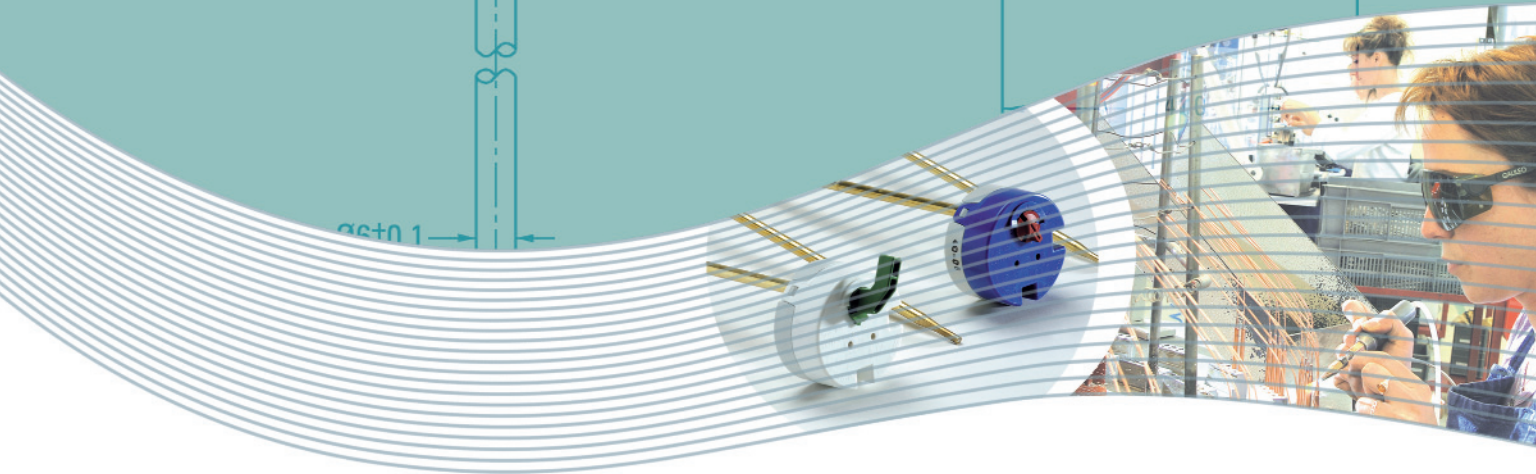
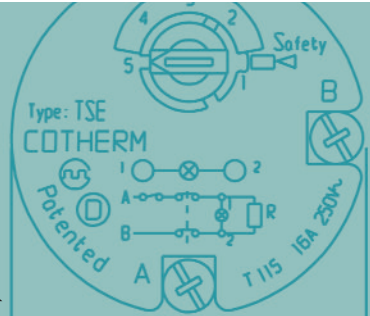


# ... TSE-TSR



## → DESCRIPTION

Combistat with single pole stem control and double pole safety limiter

## → FEATURES

- Combined control and safety function
- Patented MFS technology or traditional bimetal for independent non self resetting safety option
- Direct plug-in to heating element to reduce wiring and mounting costs
- Tamper proof housing
- Factory pre-set fixed temperature, OEM adjustable or end-user adjustable temperature
- Multiple control knob options
- Connection for signal lamp

## → OPERATION

The differential expansion of the sensing element causes the opening of a snap-action switch in the thermostat head. In case of abnormal temperature rise, the patented MFS technology in the stem or traditional bimetal ensures double pole safety. The limiter is manually resettable

## TECHNICAL CHARACTERISTICS

	TSE	TSR	TSEU
Type	Single pole stem control with double pole bimetal safety limiter	Single pole stem control with MFS technology double pole safety limiter	Single pole stem control
Temperature range	0°C to 160°C / 32°F to 320°F		
Differential	Approx. 5% of the temperature range		
Safety limiter temperature	Fixed 65°C - 120°C / 149°F - 248°F		
Rating	16A - 250V		
Material	Brass, invar, bimetal, MFS		
Capillary length	137, 180, 220, 270, 350 and 450 mm / 5, 7, 8, 11, 14 and 18"		
Sensing element diameter	6 mm / 1/4"		
Maximum head temperature	115°C / 239°F		
Connections	Brass faston or pillar terminals		
Approvals	CE, EN60730		

# ...TSE-TSR

## TECHNICAL CHARACTERISTICS



Electric water heater



Solar water heater



Electric heating



Electric radiator



Towel dryer



Boiler



Heat pump



Fan heater / ventilation



Air conditioning



Sauna



Pool & Spa



Coffee machine



Wine cabinet



Dish washer



Washing machine



Oven (domestic and industrial)



Rotisserie



Warming drawer



Deep fryer



Commercial cold



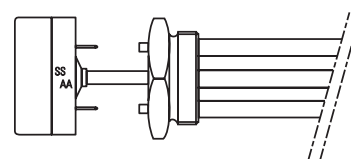
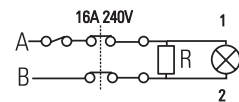
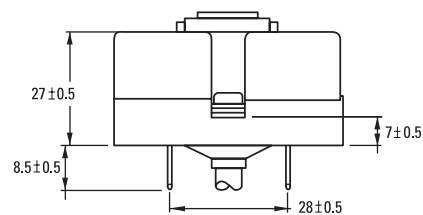
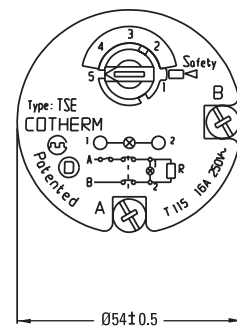
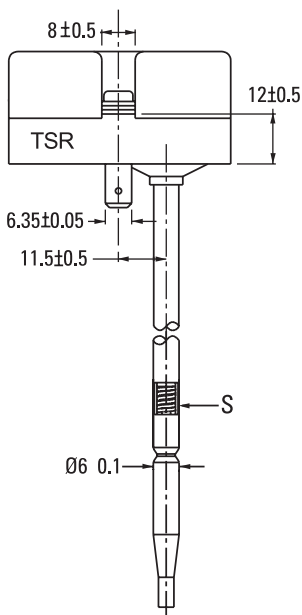
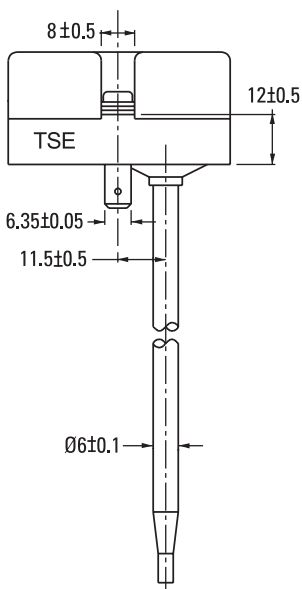
Bain marie



Medical equipment



Industrial equipment



COTHERM reserves the right to bring any modifications to our products. We manufacture products according to drawings which serve as contractual documents. We are not responsible for damage resulting from inappropriate installation or use of our product.

Weight : approx. 110g

**cotherm**  
COMPONENTS

WWW.COTHERM.COM

Z.I. LES LEVÉES 38470 VINAY FRANCE  
PHONE : +33 4 76 36 82 97  
FAX : +33 4 76 64 05 43