

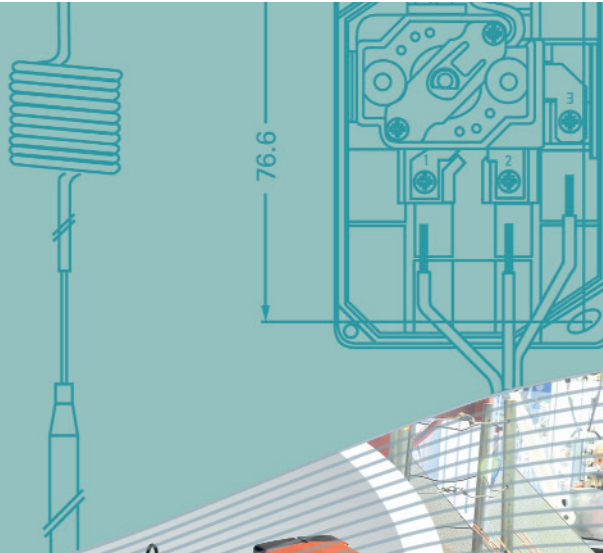
... B M F

90.5±1

62±1

76.6

CO THERM



→ DESCRIPTION

Multi-function plastic housing with a single pole capillary control

→ FEATURES

- Suitable for surface mounted, immersion and air applications
- Multiple mounting configurations
- Includes GTL series control with changeover contact
- Control knob with temperature indication
- Knob rotation customizable with stops
- Customized colors and marking available

→ OPERATION

A rise in temperature causes the expansion of liquid within the bulb and capillary. The liquid acts on a bellows assembly within the plastic housing to open and close electrical contacts

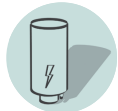
TECHNICAL CHARACTERISTICS

	THP	THA	TAM
Type	For immersion with control bulb in brass pocket fitted directly on the housing	For surface mount with control bulb built into the back of the housing	For industrial ambient with capillary and bulb for deported temperature sensing
Temperature range	0°C to 50°C / 32°F to 122°F ; 0°C to 90°C / 32°F to 194°F ; -35°C to 35°C / -31°F to 95°F		
Adjustment	Control knob		
Rating	20A - 240V		
Capillary length	150 to 3 000 mm / 6 to 118"		
Protection	Up to IP 54		
Connections	Screw terminals		
Approvals	CE, EN60730		



...B M F

TECHNICAL CHARACTERISTICS



Electric water heater



Solar water heater



Electric heating



Electric radiator



Towel dryer



Boiler



Heat pump



Fan heater / ventilation



Air conditioning



Sauna



Pool & Spa



Coffee machine



Wine cabinet



Dish washer



Washing machine



Oven (domestic and industrial)



Rotisserie



Warming drawer



Deep fryer



Commercial cold



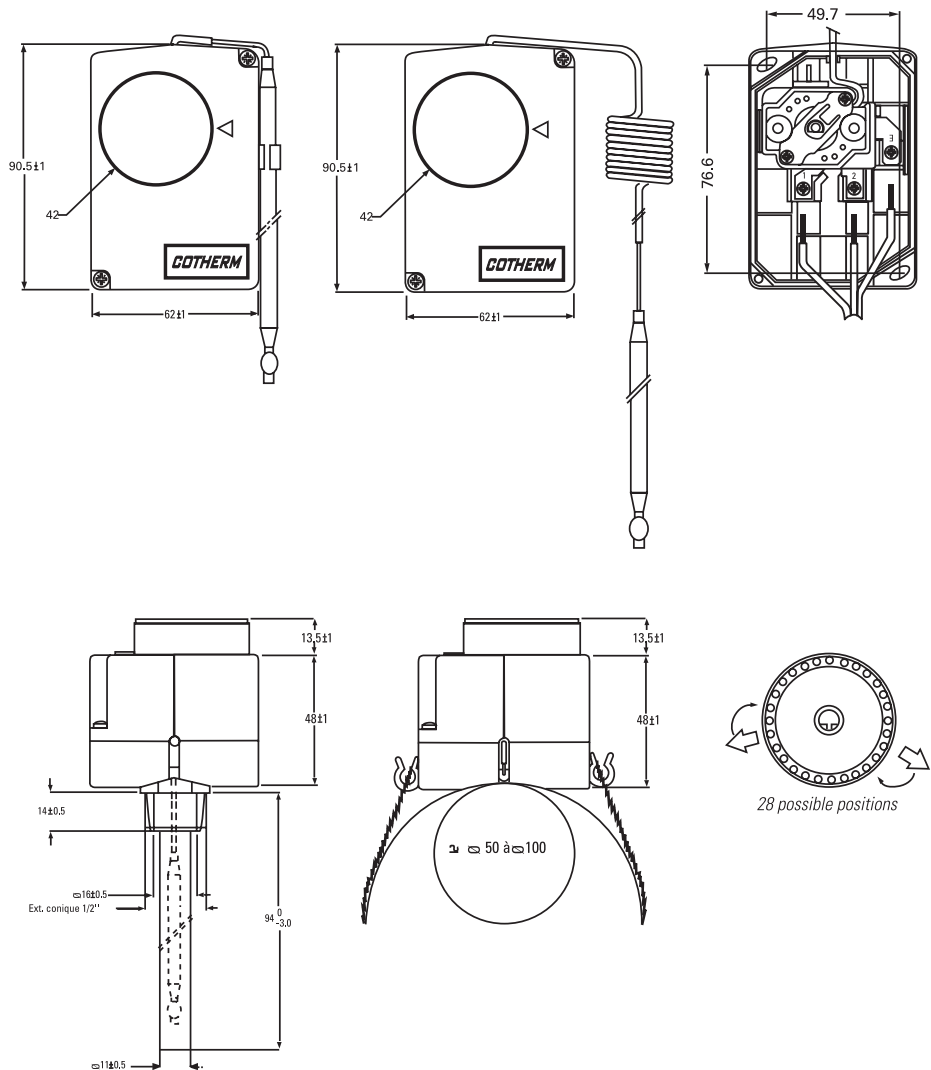
Bain marie



Medical equipment



Industrial equipment



Weight : approx. 250g

CO THERM reserves the right to bring any modifications to our products.
We manufacture products according to drawings which serve as contractual documents.
We are not responsible for damage resulting from inappropriate installation or use of our product.

cotherm
COMPONENTS

WWW.COTHERM.COM

Z.I. LES LEVÉES 38470 VINAY FRANCE
PHONE : +33 4 76 36 82 97
FAX : +33 4 76 64 05 43